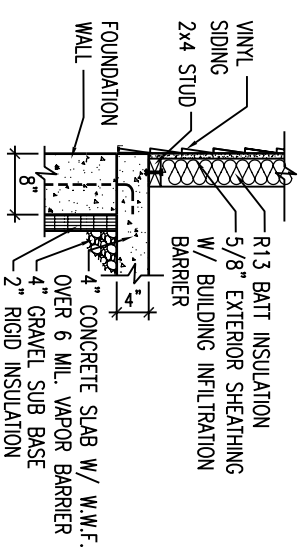


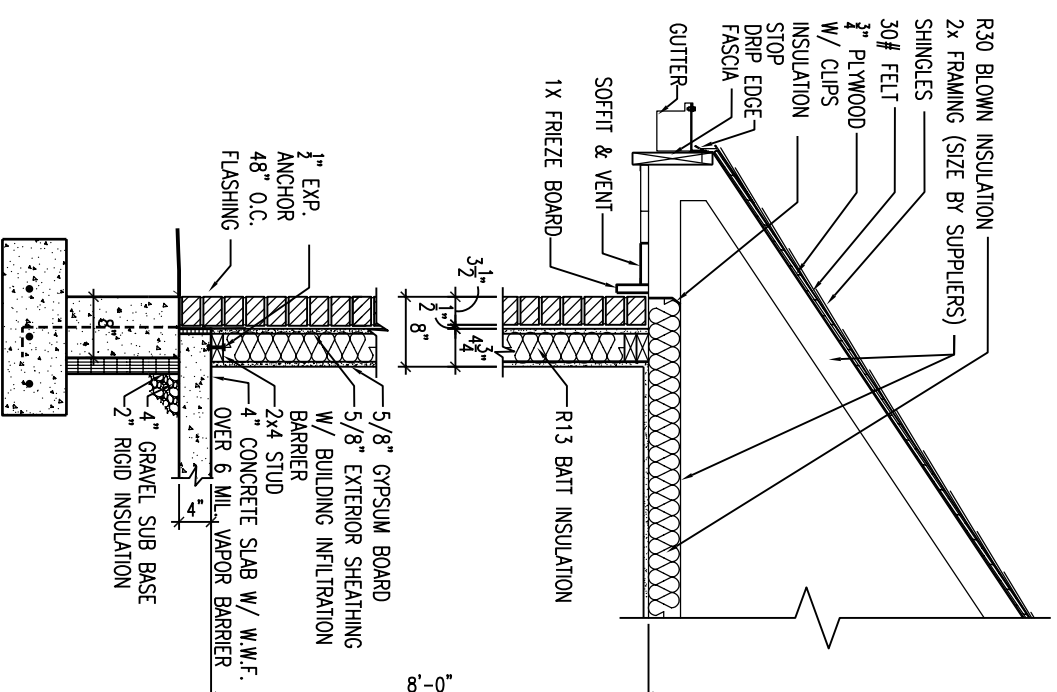
Floor Plan

1/8" = 1'-0"



Partial Wall Section 'B'

3/4" = 1'-0"



Wall Section 'A'

3/4" = 1'-0"



Madison Design & Development, LLC

180 Rocky Top Path, Sadieville Kentucky, 40370
Office/ Fax: 859.361.7585 - info@madisondesign.net

05036
Project No.
STAFF
Drawn By
ICB
Checked By
09/21/05
Date